

General Description:

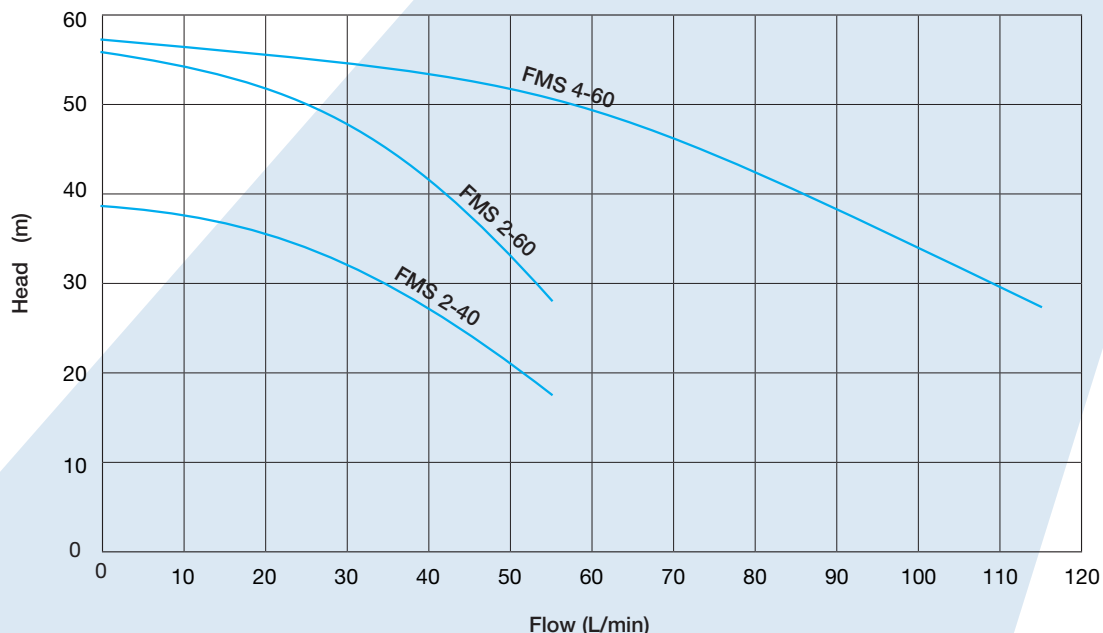
The FMS Series comprises robust, horizontal multistage pumps engineered for high-pressure water delivery in both residential and commercial applications. Their stainless steel construction ensures durability and resistance to corrosion, making them suitable for various water supply tasks. Typically suited to flooded suction situations (i.e. above ground tanks or water sources)

Key Features:

- **Multistage Design:** Offers enhanced pressure capabilities, ideal for applications requiring consistent and strong water flow.
- **Stainless Steel Components:** Includes impellers, chambers, and shafts made from stainless steel, ensuring longevity and resistance to wear.
- **Quiet Operation:** Designed to operate with minimal noise, making them suitable for domestic environments.
- **Automatic Pressure Control:** Includes controller that starts/stops pump on demand with option of 2 modes:
 - (F1) Press Control Mode with adjustable start pressure
 - (F2) Pressure Switch Mode with adjustable start and stop pressures**This mode requires a pressure tank to be fitted to pump.*
- **Dry Run Protection:** Prevents damage by shutting off the pump when water supply is insufficient.
- **Certified for Potable Water:** Complies with AS4020 standards, confirming suitability for drinking water applications.
- **Weather-Resistant Motor:** Features an IP55-rated motor enclosure, offering protection against dust and water ingress.



Performance Curves



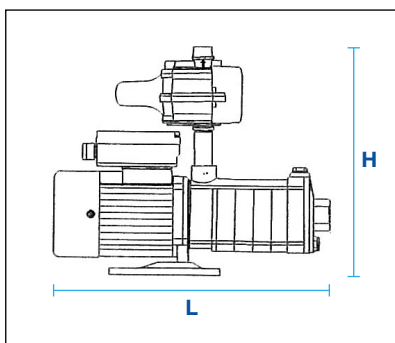
Applications:

- **Home Water Supply:** Delivers steady water pressure for taps, showers, and household appliances.
- **Garden and Lawn Irrigation:** Ideal for watering systems in residential gardens, greenhouses, and landscaping setups.
- **Rainwater Harvesting Systems:** Pumps water from rainwater tanks for use around the home or garden.
- **Water Transfer:** Moves clean water between storage tanks, troughs, or reservoirs with ease.
- **Pressure Boosting:** Improves water pressure in areas where mains supply is weak or inconsistent.
- **Washing Setups:** Suitable for applications like small car washes, equipment cleaning, or domestic washdown areas.

Technical Details

MODEL	POWER (P2)		MAX. FLOW (L/min)	MAX. HEAD (m)	WATER TEMP
	kW	HP			
FMS-2-40	0.55	0.75	58	38	0-40°C
FMS-2-60	0.75	1.0	58	38	0-40°C
FMS-4-60	1.1	1.5	116	58	0-40°C

Dimensions



Pump Model	Size (mm)			Inlet x Outlet (mm)	Kg
	H	L	W		
FMS-2-40	390	360	130	25 x 25	13.7
FMS-2-60	390	395	130	25 x 25	15.1
FMS-4-60	390	443	130	32 x 25	17