

CME Booster



The Grundfos CME Booster is a compact, frequency controlled booster designed for a variety of domestic and light industrial applications. The CME Booster ensures great comfort by providing constant pressure regardless of variations in demand or inlet pressure.



Features

Robust design

All wetted parts are made from high quality stainless steel to ensure the longest life possible.

Energy saving

The frequency controller of the CME Booster matches the power consumption with the required water output, helping to conserve energy.

Easy installation

The CME Booster is very easy to install. Once the booster has been connected to the pipework, it is simply a matter of putting the plug into a socket, and the system is operational.

Quiet operation

The CME Booster operates quietly, at around 55 decibels, significantly quieter than most pumps currently available on the market.

User-friendly interface

The user-friendly interface features LED indicators showing operational status and buttons for pressure adjustment.

Protective features

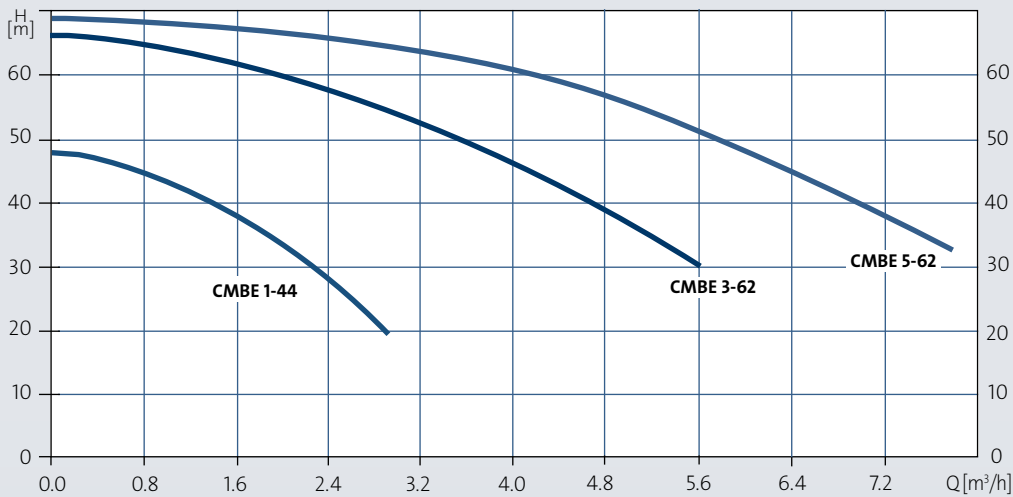
The CME Booster features dry run protection to automatically stop the pump if the water source runs out. The pump is also protected against any accidental overload by built-in thermal protection. These protective features help to ensure the longest life possible.

Applications

- Mains boosting
- Household water supply
- Pressure boosting from above ground water tanks
- Light industrial use



Performance



Operating Conditions

System pressure

Max. 10 bar

Liquid temperature

0 °C to +60 °C

Ambient temperature

Max. +55 °C

Relative air humidity

Max. 95 %

Technical Data

Mains voltage

1 x 240 V, 50 Hz

Enclosure class

IP55

Insulation class

F

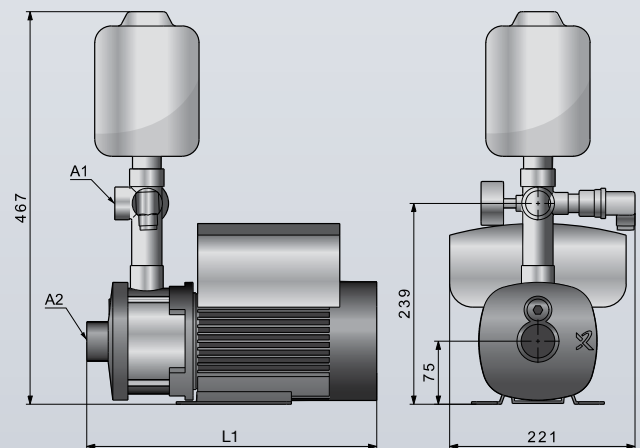
Sound pressure level

< 55 dBa

Approvals and markings

ASNZ4020, CE

Dimensions



Model	Part Number	Power (kW)	Dimensions			Weight (kg)
			A1	A2	L1 (mm)	
CMBE 1-44	98374705	0.55	1" F	1" F	345	16.1
CMBE 3-62	98374709	1.1	1" F	1" F	345	17.4
CMBE 5-62	98374712	1.5	1" F	1¼" F	345	18.8