

JET - JETINOX - JETCOM

SELF-PRIMING CENTRIFUGAL PUMPS

ENERGY EFFICIENCY **IE2**



JET



JETINOX



JETCOM



Self-priming centrifugal pump with excellent suction capacity even when there are air bubbles. Particularly suitable for water supply in domestic installations, small-scale agriculture, gardening and wherever self-priming operation is necessary.

Jet: cast iron pump body.

Jetinox: stainless steel pump body.

Jetcom: technopolymer pump body.

Motor support in cast iron, technopolymer impeller, diffuser, Venturi tube and sand guard. Stainless steel adjustment rings.

Carbon/ceramic mechanical seal. Asynchronous motor closed and cooled by external ventilation. Built-in thermal and current overload protection and a capacitor permanently on in the single-phase version. For the protection of the three-phase motor it is advisable to use a suitable overload protection complying with the regulations in force.

DOMESTIC WATER SUPPLY

Operating range: two-poles from 0.4 to 10.5 m³/h with head up to 62 metres

Liquid temperature range:

from 0°C to +35°C for domestic use
from 0°C to +40°C for other use

Pumped liquid characteristics: clean, free from solids or abrasive substances, not viscous, not aggressive, not crystallised and chemically neutral.

Maximum ambient temperature: +40°C

Maximum working pressure:

6 bar (600 kPa) for Jet and Jetcom

8 bar (800 kPa) for Jetinox

Protection level: IP 44 (IP 55 terminal board protection).

Insulation class: F

TECHNICAL DATA - JET

MODEL	CODE	ELECTRICAL DATA						
		VOLTAGE 50 Hz	P1 MAX kW	P2 NOMINAL		In A	CAPACITOR	
				kW	HP		µF	Vc
JET 62 M	102660000	1X220-240 V~	0,72	0,44	0,6	3,12	12,5	450
JET 82 M	102660020	1X220-240 V~	0,85	0,6	0,8	3,8	12,5	450
JET 82 T	102660030	3X230-400 V~	0,86	0,6	0,8	2,8-1,6	-	-
JET 102 M	102660040	1X220-240 V~	1,13	0,75	1	5,1	16	450
JET 102 T*	60145173	3X230-400 V~	1,04	0,75	1	3,3-1,9	-	-
JET 112 M	102660060	1X220-240 V~	1,4	1	1,36	6,2	25	450
JET 112 T*	60145276	3X230-400 V~	1,35	1	1,36	4,3-2,5	-	-
JET 92 M	102660080	1X220-240 V~	0,94	0,75	1	4,2	14	450
JET 132 M	102660100	1X220-240 V~	1,49	1	1,36	6,6	25	450
JET 132 T*	60145277	3X230-400 V~	1,43	1	1,36	4,7-2,7	-	-

* NEW IE2 MOTOR

JET - JETINOX - JETCOM

SELF-PRIMING CENTRIFUGAL PUMPS

TECHNICAL DATA - JETINOX

MODEL	CODE	ELECTRICAL DATA						
		VOLTAGE 50 Hz	P1 MAX kW	P2 NOMINAL		In A	CAPACITOR	
				kW	HP		µF	Vc
JETINOX 82 M	102640020	1X220-240 V~	0,85	0,6	0,8	3,8	12,5	450
JETINOX 82 T	102640030	3X230-400 V~	0,86	0,6	0,8	2,8-1,6	-	-
JETINOX 102 M	102640040	1X220-240 V~	1,13	0,75	1	5,1	16	450
JETINOX 102 T*	60145172	3X230-400 V~	1,04	0,75	1	3,3-1,9	-	-
JETINOX 112 M	102640060	1X220-240 V~	1,4	1	1,36	6,2	25	450
JETINOX 112 T*	60145274	3X230-400 V~	1,35	1	1,36	4,3-2,5	-	-
JETINOX 92 M	102640080	1X220-240 V~	0,94	0,75	1	4,2	14	450
JETINOX 132 M	102640100	1X220-240 V~	1,49	1	1,36	6,6	25	450
JETINOX 132 T*	60145275	3X230-400 V~	1,43	1	1,36	4,7-2,7	-	-

* NEW IE2 MOTOR

TECHNICAL DATA - JETCOM

MODEL	CODE	ELECTRICAL DATA						
		VOLTAGE 50 Hz	P1 MAX kW	P2 NOMINAL		In A	CAPACITOR	
				kW	HP		µF	Vc
JETCOM 62 M	102670000	1X220-240 V~	0,72	0,44	0,6	3,12	12,5	450
JETCOM 82 M	102670020	1X220-240 V~	0,85	0,6	0,8	3,8	12,5	450
JETCOM 102 M	102670040	1X220-240 V~	1,13	0,75	1	5,1	16	450
JETCOM 102 T*	60145176	3X230-400 V~	1,04	0,75	1	3,3-1,9	-	-
JETCOM 92 M	102670080	1X220-240 V~	0,94	0,75	1	4,2	14	450
JETCOM 132 M	102670100	1X220-240 V~	1,49	1	1,36	6,6	25	450
JETCOM 132 T*	60145278	3X230-400 V~	1,43	1	1,36	4,7-2,7	-	-

* NEW IE2 MOTOR

JET - JETINOX - JETCOM

SELF-PRIMING CENTRIFUGAL PUMPS



JET 151-251



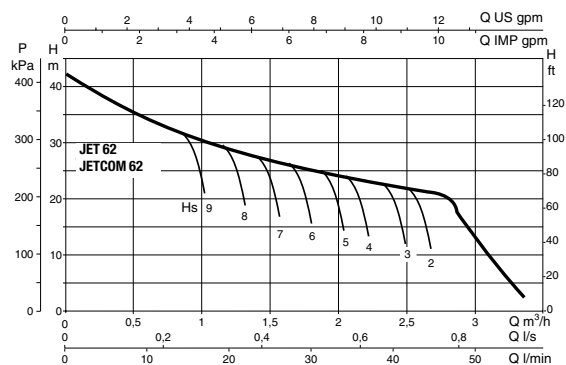
JET 200-300

TECHNICAL DATA - JET 200...251

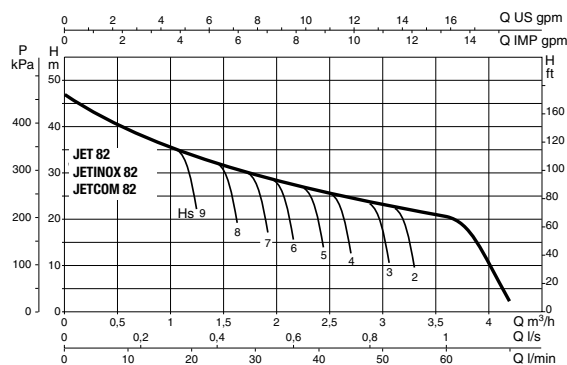
MODEL	CODE	ELECTRICAL DATA						
		VOLTAGE 50 Hz	P1 MAX kW	P2 NOMINAL		In A	CAPACITOR	
				kW	HP		µF	Vc
JET 200 M	102160142	1X220-240 V~	2,0	1,5	2	9	31,5	450
JET 200 T*	60145850	3X230-400 V~	2,0	1,5	2	6,8-3,9	-	-
JET 300 M	102160162	1X220-240 V~	2,7	2,2	3	12	40	450
JET 300 T*	60145907	3X230-400 V~	2,7	2,2	3	8,5-4,9	-	-
JET 151 M	102160062	1X220-240 V~	1,6	1,1	1,5	7,2	31,5	450
JET 151 T*	60145787	3X230-400 V~	1,6	1,1	1,5	5,2-3	-	-
JET 251 M	102160092	1X220-240 V~	2,2	1,85	2,5	10	40	450
JET 251 T*	60145849	3X230-400 V~	2,2	1,85	2,5	6,9-4	-	-

* NEW IE2 MOTOR

JET 62 - JETCOM 62



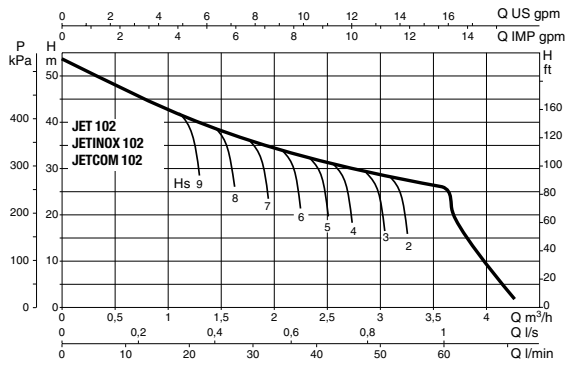
JET 82 - JETINOX 82 - JETCOM 82



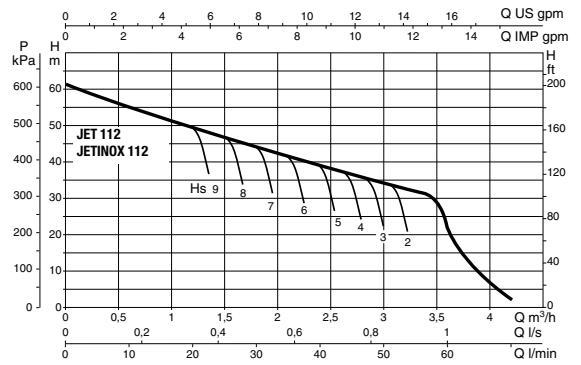
JET - JETINOX - JETCOM

SELF-PRIMING CENTRIFUGAL PUMPS

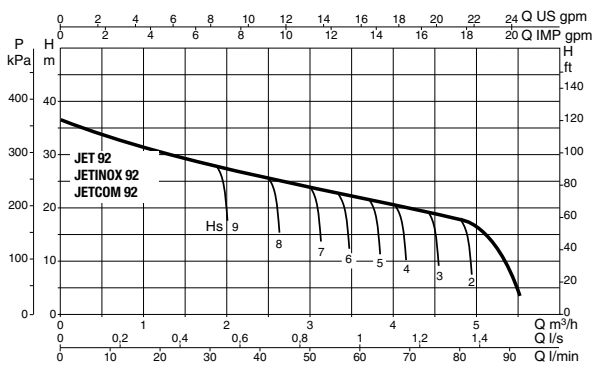
JET 102 - JETINOX 102 - JETCOM 102



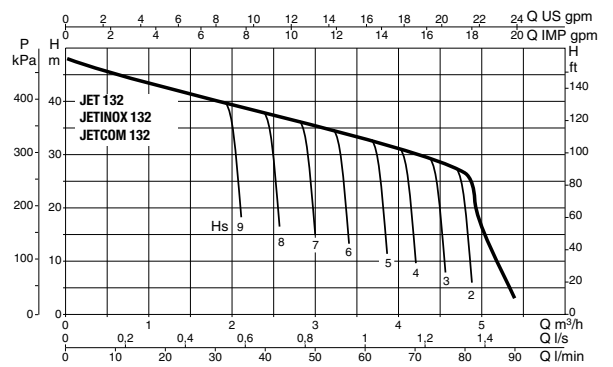
JET 112 - JETINOX 112



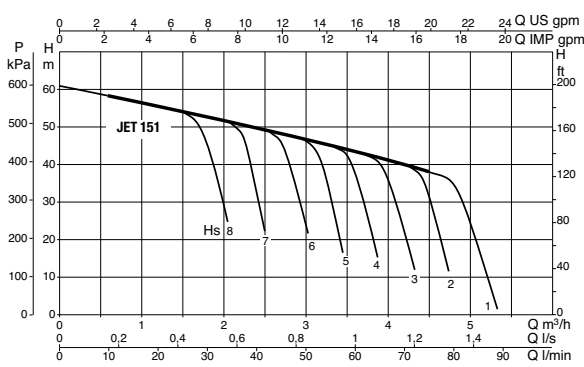
JET 92 - JETINOX 92 - JETCOM 92



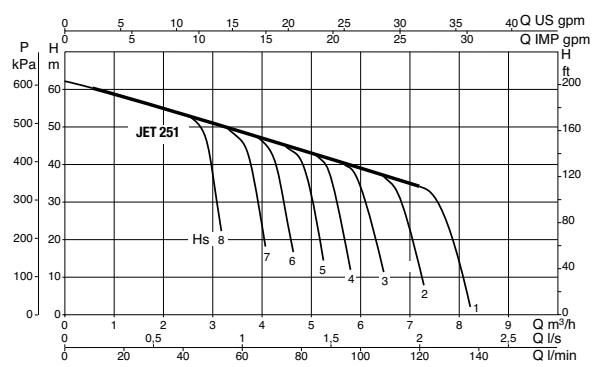
JET 132 - JETINOX 132 - JETCOM 132



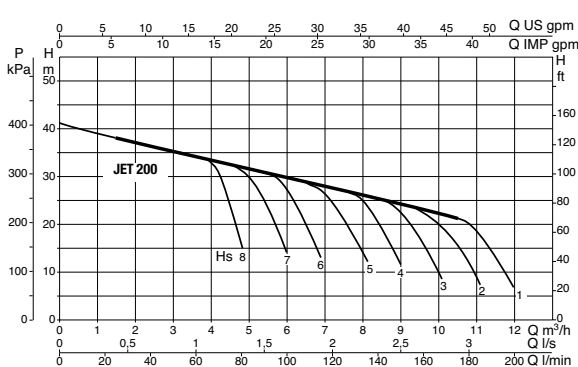
JET 151



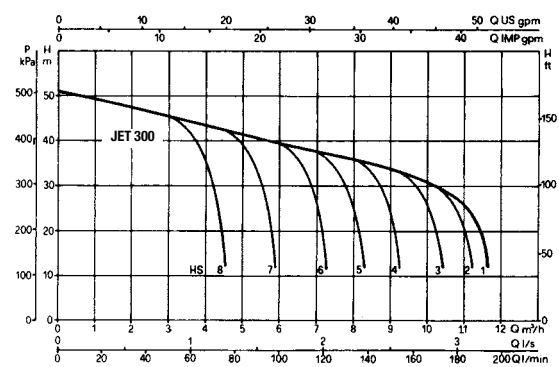
JET 251



JET 200



JET 300



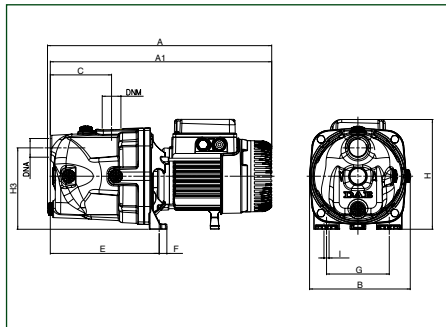
MULTISTAGE CENTRIFUGAL
AND SELF-PRIMING PUMPS

JET - JETINOX - JETCOM

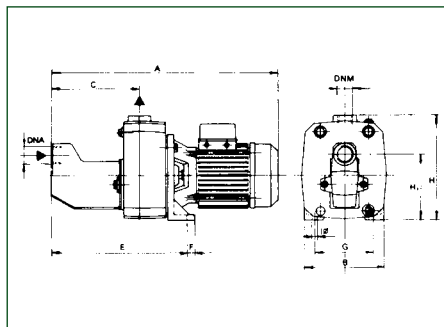
SELF-PRIMING CENTRIFUGAL PUMPS

DIMENSIONS AND WEIGHTS

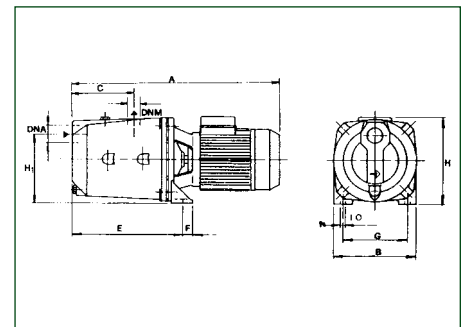
JET 62-82-102-112-92-132



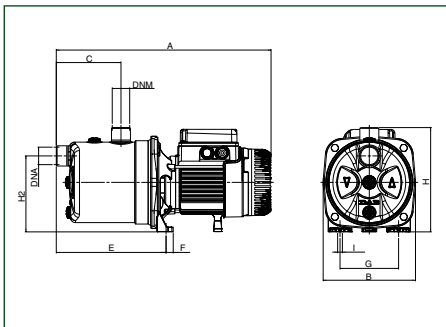
JET 151 - 251



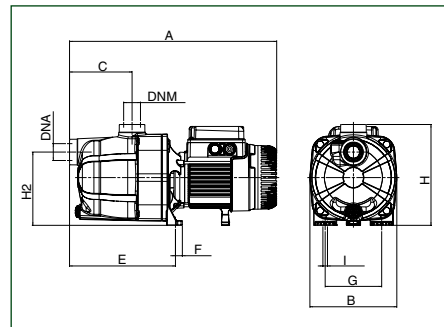
JET 200 - 300



JETINOX



JETCOM



MODEL	A	A1	B	C	E	F	G	H	H1	H3	I Ø	DNA	DNM	L/A	L/B	H	WEIGHT KG	Q.TY x PALLET
JET 62	395	390	178	108	192	14	111	193	-	144	9	1" G	1" G	470	240	240	10,5	28
JET 82	395	395	178	108	192	14	111	193	-	144	9	1" G	1" G	470	240	240	10,7	28
JET 102	414	409	178	108	197	14	111	203	-	144	9	1" G	1" G	470	240	240	12,5	28
JET 112	414	409	178	108	192	14	111	203	-	144	9	1" G	1" G	470	240	240	13,5	28
JET 92	395	390	178	108	192	14	111	193	-	144	9	1" G	1" G	470	240	240	11,7	28
JET 132	414	409	263	108	192	14	111	203	-	144	9	1" G	1" G	470	240	240	13,5	28
JET 151	558	210	221	350	20	145	11	255	158	-	-	1 1/4" G	1" G	612	248	279	31	18
JET 251 M	632	210	221	350	20	145	11	255	158	-	-	1 1/4" G	1" G	657	248	279	35	15
JET 251 T	558	210	221	350	20	145	11	255	158	-	-	1 1/4" G	1" G	657	248	279	30,8	18
JET 200	521	214	151	282	20	160	11	227	175	-	-	1 1/2" G	1 1/4" G	612	248	279	27,1	18
JET 300 M	595	214	151	282	20	160	11	235	175	-	-	1 1/2" G	1 1/4" G	657	248	279	31,5	15
JET 300 T	521	214	151	282	20	160	11	227	175	-	-	1 1/2" G	1 1/4" G	612	248	279	27	18
JETINOX 82	406	174	122	207	14	111	197	-	144	9	-	1" G	1" G	470	240	240	7,8	28
JETINOX 102	424	174	122	207	14	111	197	-	144	9	-	1" G	1" G	470	240	240	9,6	28
JETINOX 112	424	174	122	207	14	111	197	-	144	9	-	1" G	1" G	470	240	240	10,6	28
JETINOX 92	406	174	122	207	14	111	197	-	144	9	-	1" G	1" G	470	240	240	8,8	28
JETINOX 132	424	174	122	207	14	111	197	-	144	9	-	1" G	1" G	470	240	240	10,6	28
JETCOM 62	406	170	122	208	14	111	198	-	144	9	-	1" G	1" G	470	240	240	7,5	28
JETCOM 82	406	170	122	208	14	111	198	-	144	9	-	1" G	1" G	470	240	240	7,7	28
JETCOM 102	425	170	122	208	14	111	203	-	144	9	-	1" G	1" G	470	240	240	9,5	28
JETCOM 92	425	170	122	208	14	111	203	-	144	9	-	1" G	1" G	470	240	240	8,7	28
JETCOM 132	425	170	122	208	14	111	203	-	144	9	-	1" G	1" G	470	240	240	10,5	28