

## APPLICATIONS

The new Grundfos PMRain is an interconnect device that allows you to utilise your harvested rainwater for toilet flushing and laundry applications, with the added benefit of mains water backup. The new PMRain also features a tank only garden outlet, to ensure you only use rainwater for your garden watering.

The PMRain is used in conjunction with a Grundfos pump. The pump itself is only activated when rainwater is being drawn from the tank. It does not operate when switched to mains.

The PMRain automatically starts when a demand is sensed – for example the flushing of a toilet or filling a washing machine - and will switch over to mains water when your tank is empty or in the case of an electrical failure.

Grundfos has incorporated a specially designed valve eliminating the need for an in-tank float – drastically decreasing installation time.

## FEATURES

- The easiest, quickest system to install - no float!
- Does not require any regular maintenance
- Dual check valve for backflow prevention
- Suitable for above and below ground tanks
- Will automatically switch to mains water in the event of power failure
- Water source indicator lights
- Complete control with tank only garden supply

## CONSTRUCTION

- The Grundfos PMRain has WaterMark Approval
- Always install under cover to protect from the elements
- The Grundfos PMRain, JPRain, JP and SB all comply with AS/NZS 4020 – Testing of products in contact with drinking water

NEW ADDED  
FEATURES

2 YEAR  
ON-SITE  
WARRANTY



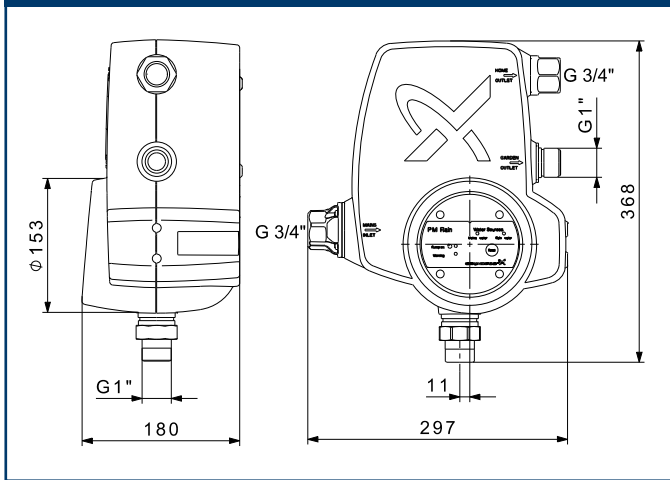
## APPLICATIONS

- Surface Mount for above ground tanks  
The PMRain interconnect device can be fitted to one of our reliable JP or JPRain range of pressure pumps, making it suitable for above ground tanks.
- Submersible for above and below ground tanks  
The PMRain interconnect device can be fitted to a submersible SB pump for in tank pump installations with either a wall or tank mount kit, making it a great solution for above and below ground tanks.

## TECHNICAL FEATURES

- Maximum Flow Rate – Pump 75 Lpm
- Maximum Mains Pressure – limited to 200 kPa
- Maximum Water Temperature 40°C
- Maximum Ambient Temperature 40°C
- Mains water inlet size via dual check valve ¾" BSP (F)
- Voltage 240 V, 50 Hz
- Rainwater inlet size 1" (M)
- Home only outlet size ¾" (F)
- Garden only outlet size 1" (M)

## DIMENSIONS

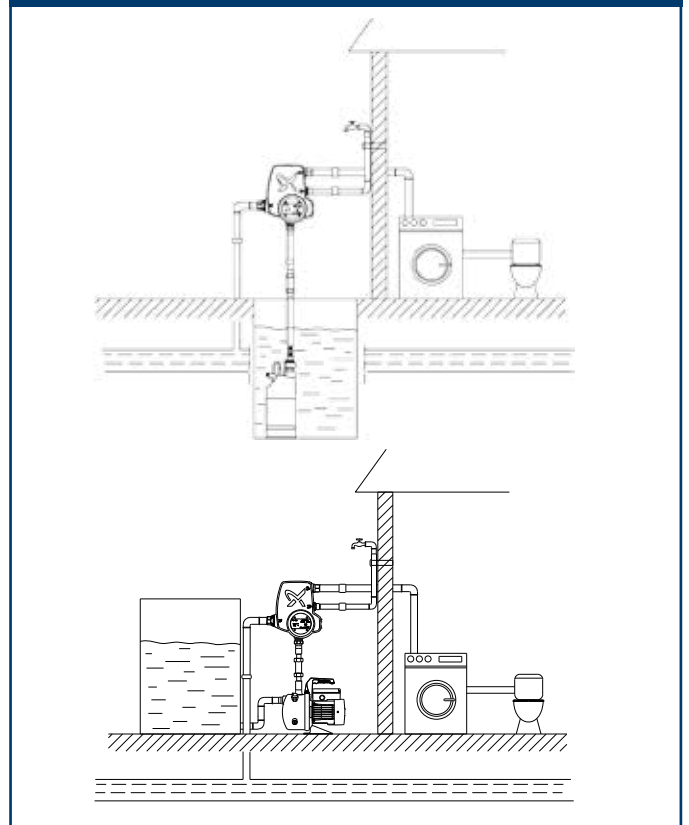


SB Pump with PMRain



JP Pump

## INSTALLATION



## INSTALLATION GUIDE

		Above Ground Tank	Above Ground Tank	Below Ground Tank
Type of House	Outlets	Basic Solution	Grundfos Quality Solution	Grundfos Quality Solution
Single Storey	1 x Toilet, Laundry and Outside Tap	JPRain2 PMRain		
	2 x Toilets, Laundry and Outside Tap	JPRain3 PMRain		
	3 x Toilets, Laundry and Outside Tap	JPRain4 PMRain	JP5 PMRain	SB 3-35 PMRain
	4 x Toilets, Laundry and Outside Tap	JPRain4 PMRain	JP6 PMRain	SB 3-45 PM Rain
Double Storey	1 x Toilet, Laundry and Outside Tap	JPRain3 PMRain		
	2 x Toilets, Laundry and Outside Tap	JPRain4 PMRain	JP5 PMRain	SB 3-35 PMRain
	3 x Toilets, Laundry and Outside Tap	JPRain4 PMRain	JP6 PMRain	SB 3-45 PMRain

