
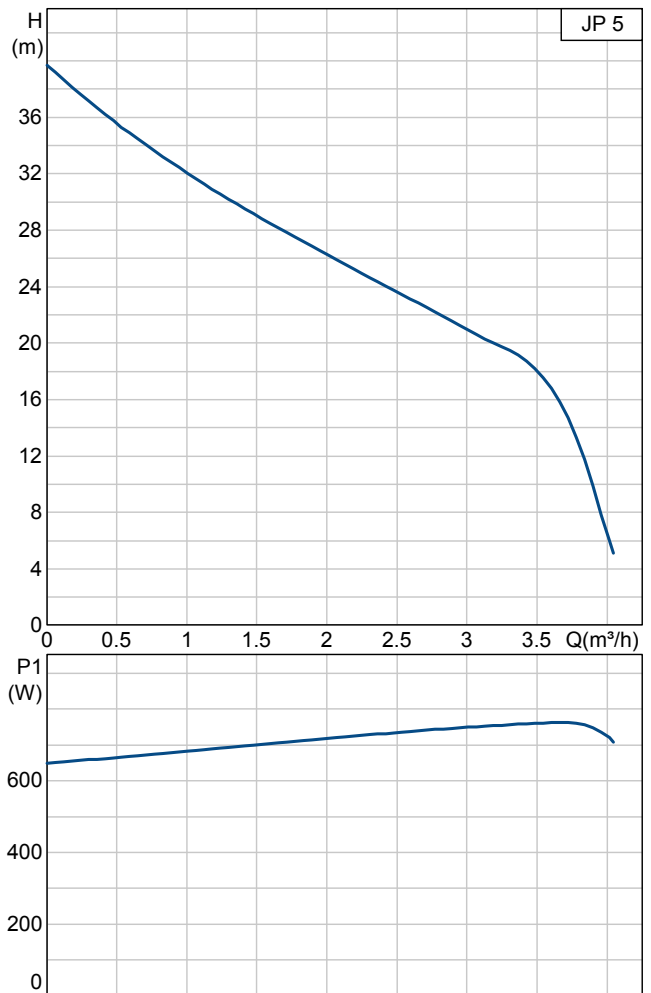


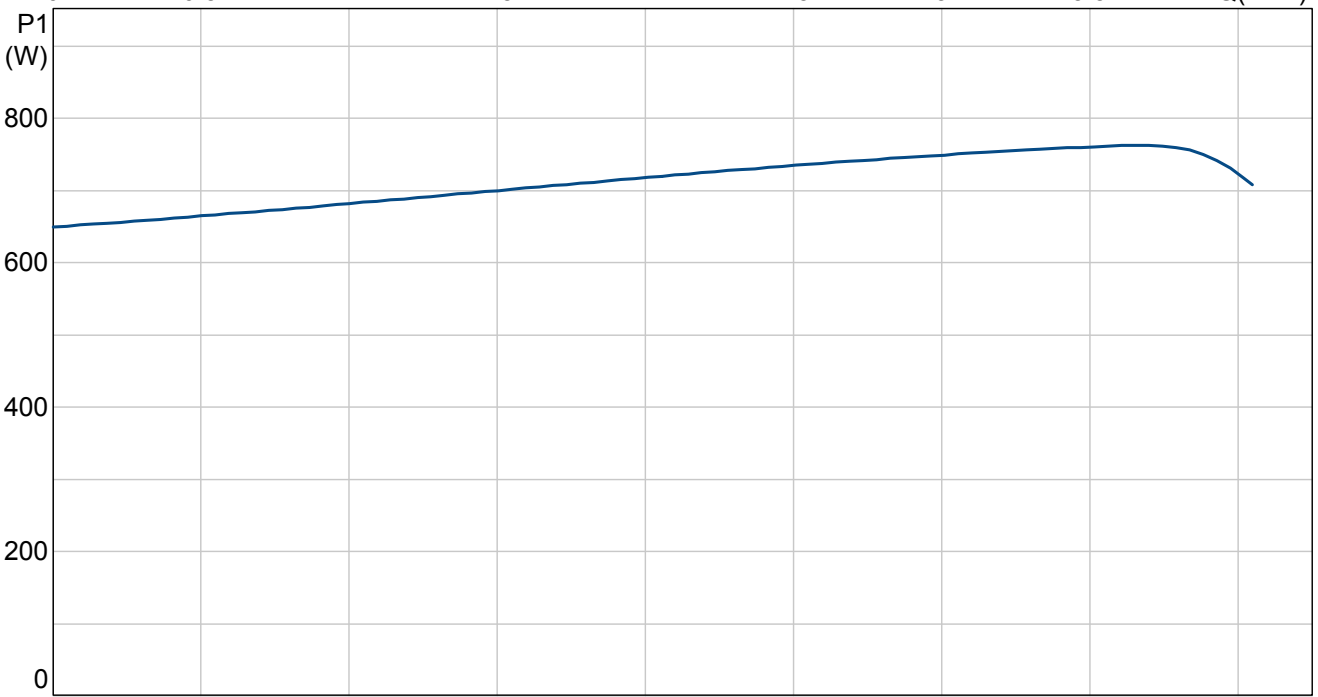
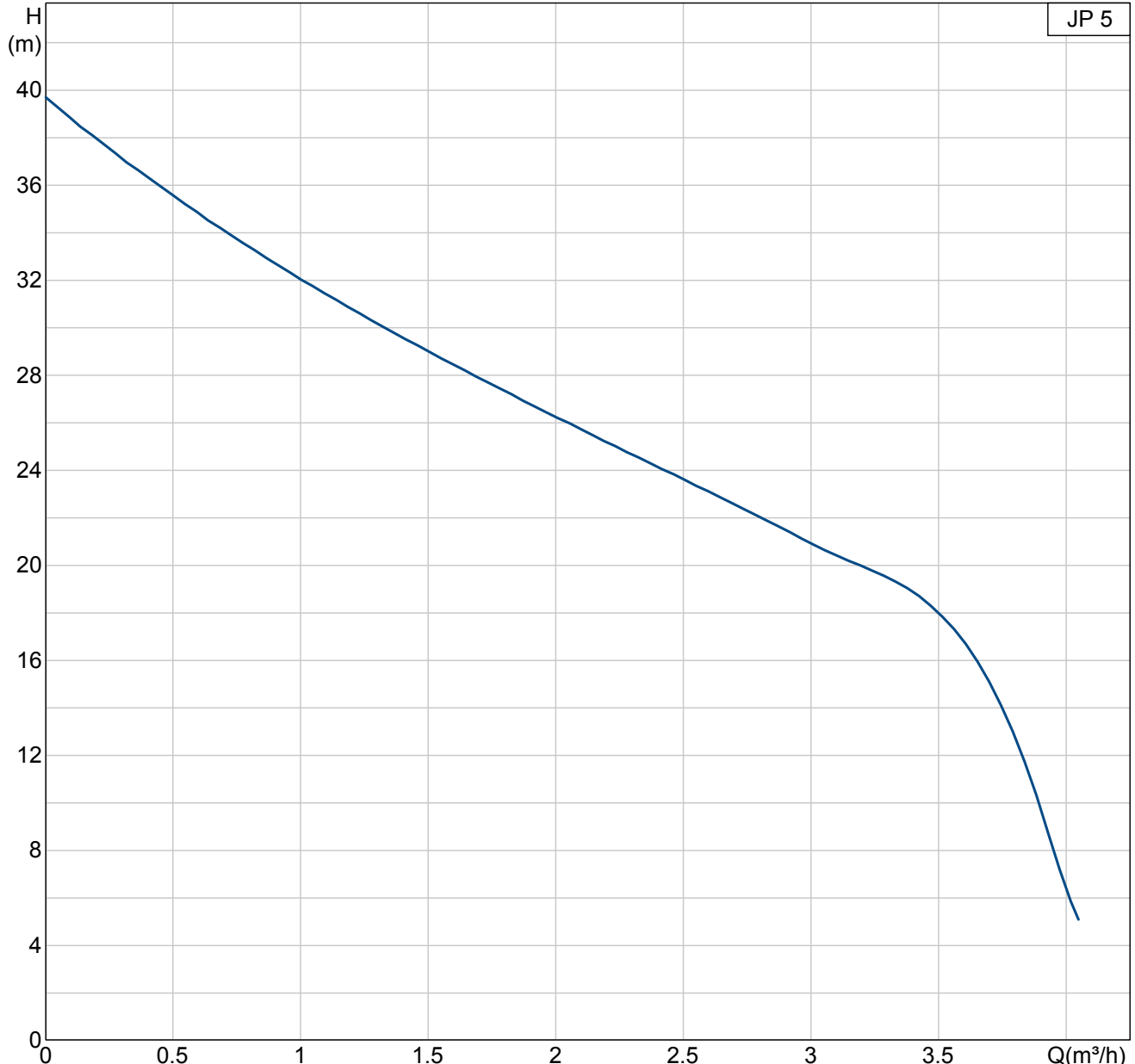
Position	Qty.	Description	Single Price
	1	<p data-bbox="293 165 347 192">JP 5</p>  <p data-bbox="683 591 1219 618">Note! Product picture may differ from actual product</p> <p data-bbox="293 645 644 703">Product No.: 46510001 Horizontal self-priming jet pump.</p> <p data-bbox="293 725 778 837">Self-priming single-stage centrifugal jet pump with axial suction port and radial discharge port close-coupled with a single-phase motor with thermal overload protection.</p> <p data-bbox="293 869 884 896">Pump and motor are mounted on a common baseplate.</p> <p data-bbox="293 922 785 981">The pump has a mechanical carbon/ceramics shaft seal.</p> <p data-bbox="293 1008 379 1034">Liquid:</p> <p data-bbox="293 1039 762 1066">Liquid temperature range: 0 .. 40 °C</p> <p data-bbox="293 1093 418 1120">Technical:</p> <p data-bbox="293 1124 724 1151">Type of shaft seal: CVBP</p> <p data-bbox="293 1155 858 1182">Curve tolerance: ISO 9906 Annex A</p> <p data-bbox="293 1209 411 1236">Materials:</p> <p data-bbox="293 1240 858 1321">Material, pump housing: Stainless steel 1.4301 DIN W.-Nr. 304 AISI</p> <p data-bbox="293 1326 858 1406">Material, impeller: Stainless steel 1.4301 DIN W.-Nr. 304 AISI</p> <p data-bbox="293 1433 434 1460">Installation:</p> <p data-bbox="293 1464 762 1491">Range of ambient temperature: 0 .. 40 °C</p> <p data-bbox="293 1496 715 1523">Maximum operating pressure: 6 bar</p> <p data-bbox="293 1527 708 1554">Size, pipe connection: Rp 1</p> <p data-bbox="293 1581 469 1608">Electrical data:</p> <p data-bbox="293 1612 730 1639">Power input (P1): 775 W</p> <p data-bbox="293 1644 724 1671">Mains frequency: 50 Hz</p> <p data-bbox="293 1675 810 1702">Rated voltage: 1 x 220-230 V</p> <p data-bbox="293 1706 715 1733">Rated current: 3.7 A</p> <p data-bbox="293 1738 778 1765">Capacitor size - run: 8 µF/400 V</p> <p data-bbox="293 1769 708 1796">Enclosure class (IEC 34-5): IP44</p> <p data-bbox="293 1800 676 1827">Insulation class (IEC 85): F</p> <p data-bbox="293 1832 692 1859">Type of cable plug: DK</p> <p data-bbox="293 1886 386 1912">Others:</p> <p data-bbox="293 1917 724 1944">Net weight: 8.5 kg</p> <p data-bbox="293 1948 724 1975">Gross weight: 9.4 kg</p> <p data-bbox="293 1980 756 2007">Shipping volume: 0.026 m³</p>	Price on request

Description	Value
Product name:	JP 5
Product No:	46510001
EAN number:	5700390461447
Technical:	
Head max:	40 m
Type of shaft seal:	CVBP
Curve tolerance:	ISO 9906 Annex A
Pump version:	A
Model:	D
Ejector valve:	yes
Materials:	
Material, pump housing:	Stainless steel 1.4301 DIN W.-Nr. 304 AISI
Material, impeller:	Stainless steel 1.4301 DIN W.-Nr. 304 AISI
Material code:	A
Installation:	
Range of ambient temperature:	0 .. 40 °C
Maximum operating pressure:	6 bar
Size, pipe connection:	Rp 1
Liquid:	
Liquid temperature range:	0 .. 40 °C
Electrical data:	
Power input (P1):	775 W
Mains frequency:	50 Hz
Rated voltage:	1 x 220-230 V
Rated current:	3.7 A
Capacitor size - run:	8 µF/400 V
Enclosure class (IEC 34-5):	IP44
Insulation class (IEC 85):	F
Type of cable plug:	DK
Cable:	Y
Controls:	
Presscontrol:	without press control
Switch:	on/off switch included
Others:	
Net weight:	8.5 kg
Gross weight:	9.4 kg
Shipping volume:	0.026 m ³

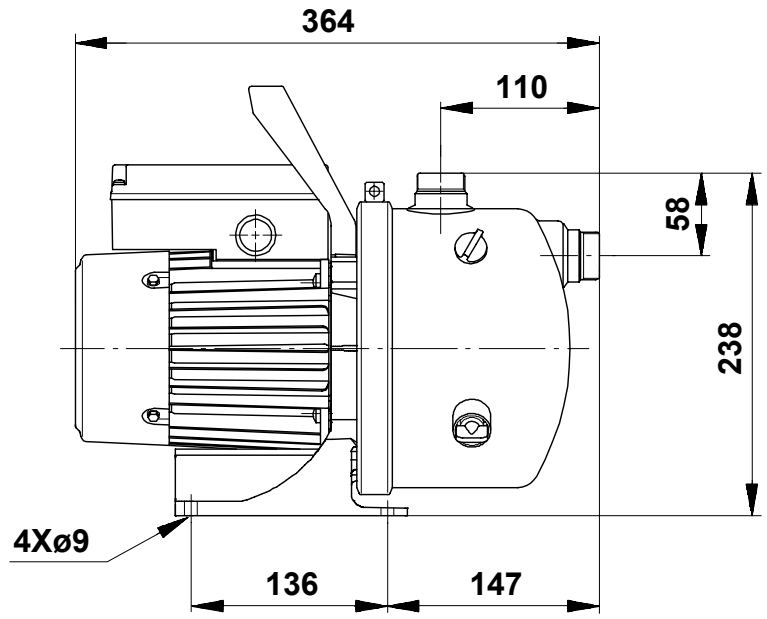
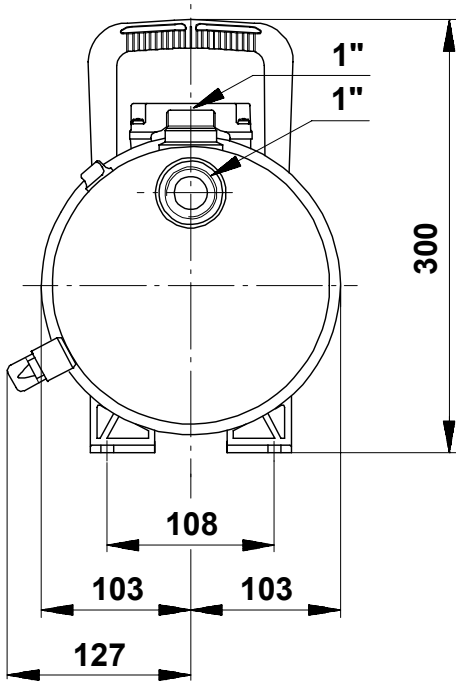


46510001 JP 5

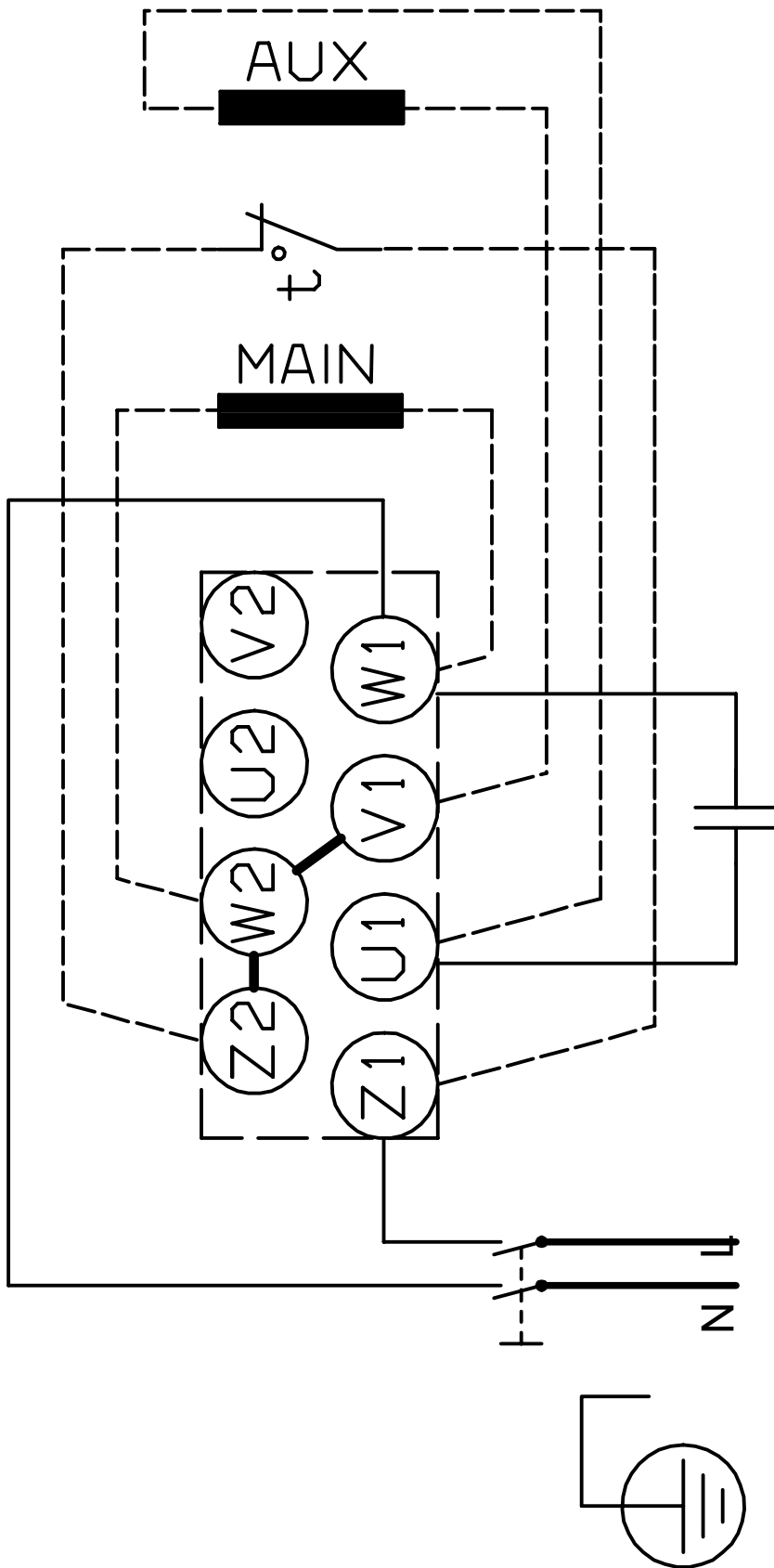
JP 5



46510001 JP 5



Note! All units are in [mm] unless others are stated.



Note! All units are in [mm] unless others are stated.